



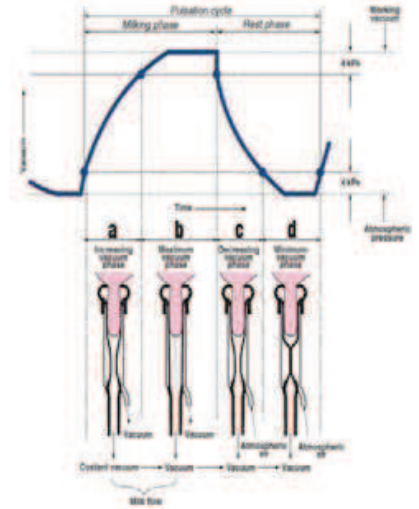
# MILKING MACHINES & PARTS AND LIVESTOCK EQUIPMENTS

[www.saragri.com](http://www.saragri.com)

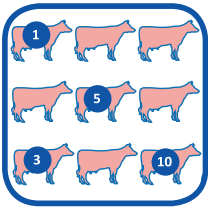
The mobility of Saragri Portable Milking Trolley is ideal for large and small dairies.

## Benefits

- Robust construction & easy maintenance.
- "Plug & Play" even one milking worker can deal with all tasks.
- Durable heavy duty wheels easy to move around.
- High quality, long working life.
- Low noise, so as not to unnerve the livestock.



## Milking routine



Organized the milking  
• fresh cow first  
• treated cow last



Udder preparation



For milk stripping



Check the vacuum



Cluster attachment



Post milking dipping



Clean the equipment

Indicative milking parameters

Hayvan Cinsi Animal Breed	Vacuum level [kPa]		Rate [ppm]	Ratio [%]
	High line & bucket	Low line		
İnek / Cow	48 - 50	42 - 44	60	60:40
Keçi / Goat	42 - 44	38 - 40	90	60:40
Koyun / Sheep	40 - 42	36 - 38	120	50:50
Buffalo	50 - 52	44 - 46	60	60:40
At & Eşek / Horse & Donkey	40 - 42	36 - 38	90	60:40
Deve / Camel	40 - 42	36 - 38	80	60:40



# SARM - 001

## SINGLE MILKING SINGLE BUCKET MILKIN MACHINE FOR COWS

### TECHNICAL FEATURES

#### CHASSIS

Length (cm)	: 98
Width (cm)	: 42
Height (cm)	: 93
Weight (kg)	: 49,5

#### VACUUM PUMP

Engine Power (kW)	: 0,55 kW
Rotating (rpm)	: 1450 rpm
Voltage (V)	: 220 & 110 Volt - 50&60 Hz
Flow Rate (L/min)	: 180-200
Palette Type	: Graphite
Palette Size (mm)	: 4,9 x 43 x 70
Tank Capacity (L)	: 18

#### MILKING GROUP

Bucket Type	: Aluminum
Bucket Volume	: 40 Lt.
Milk Claw Capacity	: 1 x 160cc
Pulsation	: 60/40
Milk Hose	: 2250mm (24mm x 14mm)
Pulse Hose	: 2250mm (13mm x 7mm)

#### OPTIONAL FEATURES

Product Code	Type
SARM-001-OL	Oily System Aluminium Bucket
SARM-001-OL/SS	Oily System Stainless Bucket
SARM-001/SS	Dry System Stainless



- \*Three Wheel Frame is Optional.
- \* Galvanized Frame is Optional.
- \* Milk Claw Capacity 240 cc Optional
- \* Available Optional Colours ● ● ● ●

# SARM-002

## DOUBLE MILKING SINGLE BUCKET MILKIN MACHINE FOR COWS

### TECHNICAL FEATURES

#### CHASSIS

Length (cm)	: 98
Width (cm)	: 42
Height (cm)	: 93
Weight (kg)	: 53,5

#### VACUUM PUMP

Engine Power (kW)	: 0,55 kW
Rotating (rpm)	: 1450 rpm
Voltage (V)	: 220 & 110 Volt - 50&60 Hz
Flow Rate (L/min)	: 180-200
Palette Type	: Graphite
Palette Size (mm)	: 4,9 x 43 x 79,8
Tank Capacity (L)	: 18

#### MILKING GROUP

Bucket Type	: Aluminum
Bucket Volume	: 40 Lt.
Milk Claw Capacity	: 2 x 160cc
Pulsation	: 60/40
Milk Hose	: 2250mm (24mm x 14mm)
Pulse Hose	: 2250mm (13mm x 7mm)

#### OPTIONAL FEATURES

Product Code	Type
SARM-002-OL	Oily System Aluminium Bucket
SARM-002-OL/SS	Oily System Stainless Bucket
SARM-002/SS	Dry System Stainless



- \*Three Wheel Frame is Optional.
- \* Galvanized Frame is Optional.
- \* Milk Claw Capacity 240 cc Optional
- \* Available Optional Colours ● ● ● ●

# SARM - 003

## DOUBLE MILKING SINGLE BUCKET MILKIN MACHINE WITH THREE WHEEL FOR COWS

### TECHNICAL FEATURES

#### CHASSIS

Length (cm)	: 98
Width (cm)	: 42
Height (cm)	: 93
Weight (kg)	: 54

#### VACUUM PUMP

Engine Power (kW)	: 0,55 kW
Rotating (rpm)	: 1450 rpm
Voltage (V)	: 220 & 110 Volt - 50&60 Hz
Flow Rate (L/min)	: 180-200
Palette Type	: Graphite
Palette Size (mm)	: 4,9 x 43 x 79,8
Tank Capacity (L)	: 18

#### MILKING GROUP

Bucket Type	: Aluminium
Bucket Volume	: 40 Lt.
Milk Claw Capacity	: 2 x 160cc
Pulsation	: 60/40
Milk Hose	: 2250mm (24mm x 14mm)
Pulse Hose	: 2250mm (13mm x 7mm)

#### OPTIONAL FEATURES

Product Code	Type
SARM-003-OL	Oily System Aluminium Bucket
SARM-003-OL/SS	Oily System Stainless Bucket
SARM-003/SS	Dry System Stainless



- \* Galvanized Frame is Optional.
- \* Milk Claw Capacity 240 cc Optional
- \* Available Optional Colours ● ● ● ●

# SARM - 004

## DOUBLE MILKING SINGLE BUCKET OIL TYPE MILLKING MACHINE FOR COWS

### TECHNICAL FEATURES

#### CHASSIS

Length (cm)	: 98
Width (cm)	: 42
Height (cm)	: 93
Weight (kg)	: 54

#### VACUUM PUMP

Engine Power (kW)	: 0,55 kW
Rotating (rpm)	: 1450 rpm
Voltage (V)	: 220 & 110 Volt - 50&60 H
Flow Rate (L/min)	: 180-200
Palette Type	: Fiber
Palette Size (mm)	: 4,9 x 43 x 79,8
Tank Capacity (L)	: 18

#### MILKING GROUP

Bucket Type	: Aluminum
Bucket Volume	: 40 Lt.
Milk Claw Capacity	: 2 x 160cc
Pulsation	: 60/40
Milk Hose	: 2250mm (24mm x 14mm)
Pulse Hose	: 2250mm (13mm x 7mm)

#### OPTIONAL FEATURES

Product Code	Type
SARM-004/SS	Oily System Stainless Bucket



- \*Three Wheel Frame is Optional.
- \* Galvanized Frame is Optional.
- \* Milk Claw Capacity 240 cc Optional
- \* Avaiable Optional Colours ● ● ● ●

# SARM - 005

## DOUBLE MILKING DOUBLE BUCKET MILKIN MACHINE WITH THREE WHEEL FOR COWS

### TECHNICAL FEATURES

#### CHASSIS

Length (cm)	: 98
Width (cm)	: 80
Height (cm)	: 90
Weight (kg)	: 57

#### VACUUM PUMP

Engine Power (kW)	: 0,55 kW
Rotating (rpm)	: 1450 rpm
Voltage (V)	: 220 & 110 Volt - 50&60 Hz
Flow Rate (L/min)	: 180-200
Palette Type	: Graphite
Palette Size (mm)	: 4,9 x 43 x 79,8
Tank Capacity (L)	: 18

#### MILKING GROUP

Bucket Type	: Aluminum
Bucket Volume	: 30 Lt.
Milk Claw Capacity	: 2 x 160cc
Pulsation	: 60/40
Milk Hose	: 2250mm (24mm x 14mm)
Pulse Hose	: 2250mm (13mm x 7mm)

#### OPTIONAL FEATURES

Product Code	Type
SARM-005-OL	Oily System Aluminium Bucket
SARM-005-OL/SS	Oily System Stainless Bucket
SARM-005/SS	Dry System Stainless



- \* Galvanized Frame is Optional.
- \* Milk Claw Capacity 240 cc Optional
- \* Available Optional Colours ● ● ● ●



# SARM - 006

## DOUBLE MILKING SINGLE BUCKET MILKING MACHINE WITH GASOLINE ENGINE FOR COWS

### TECHNICAL FEATURES

#### CHASSIS

Length (cm)	: 98
Width (cm)	: 42
Height (cm)	: 93
Weight (kg)	: 78

#### VACUUM PUMP

Engine Power (kW)	: 0,55 kW
Rotating (rpm)	: 1450 rpm
Voltage (V)	: 220 & 110 Volt - 50&60 Hz
Flow Rate (L/min)	: 180-200
Palette Type	: Fiber
Palette Size (mm)	: 4,9 x 43 x 79,8
Tank Capacity (L)	: 18

#### MILKING GROUP

Bucket Type	: Aluminum
Bucket Volume	: 40 Lt.
Milk Claw Capacity	: 2 x 160cc
Pulsation	: 60/40
Milk Hose	: 2250mm (24mm x 14mm)
Pulse Hose	: 2250mm (13mm x 7mm)

#### ENGINE FEATURES

6,5 hp, 3600 r.p.m, Air-cooled,  
4-Stroke, Unleaded Gasoline

#### OPTIONAL FEATURES

Product Code	Type
SARM-006-OL	Oily System Aluminium Bucket
SARM-006-OL/SS	Oily System Stainless Bucket
SARM-006/SS	Dry System Stainless



- \* Galvanized Frame is Optional.
- \* Milk Claw Capacity 240 cc Optional
- \* Available Optional Colours ● ● ● ●

# SARM - 007

## DOUBLE MILKING DOUBLE BUCKET MILKIN MACHINE WITH GASOLINE ENGINE FOR COWS

### TECHNICAL FEATURES

#### CHASSIS

Length (cm)	: 98
Width (cm)	: 80
Height (cm)	: 90
Weight (kg)	: 83

#### VACUUM PUMP

Engine Power (kW)	: 0,55 kW
Rotating (rpm)	: 1450 rpm
Voltage (V)	: 220 & 110 Volt - 50&60 Hz
Flow Rate (L/min)	: 180-200
Palette Type	: Graphite
Palette Size (mm)	: 4,9 x 43 x 79,8
Tank Capacity (L)	: 18

#### MILKING GROUP

Bucket Type	: Aluminum
Bucket Volume	: 40 Lt.
Milk Claw Capacity	: 2 x 160cc
Pulsation	: 60/40
Milk Hose	: 2250mm (24mm x 14mm)
Pulse Hose	: 2250mm (13mm x 7mm)

#### ENGINE FEATURES

6,5 hp, 3600 r.p.m, Air-cooled,  
4-Stroke, Unleaded Gasoline

#### OPTIONAL FEATURES

Product Code	Type
SARM-005-OL	Oily System Aluminium Bucket
SARM-005-OL/SS	Oily System Stainless Bucket
SARM-005/SS	Dry System Stainless



- \* Galvanized Frame is Optional.
- \* Milk Claw Capacity 240 cc Optional
- \* Available Optional Colours ● ● ● ●

# SARM - 008

## DOUBLE MILKING SINGLE BUCKET MILKING MACHINE FOR COWS

### TECHNICAL FEATURES

#### CHASSIS

Length (cm)	: 110
Width (cm)	: 35
Height (cm)	: 78
Weight (kg)	: 43,5

#### VACUUM PUMP

Engine Power (kW)	: 0,55 kW
Rotating (rpm)	: 1450 rpm
Voltage (V)	: 220 & 110 Volt - 50&60 Hz
Flow Rate (L/min)	: 180-200
Palette Type	: Graphite
Palette Size (mm)	: 4,9 x 43 x 70
Tank Capacity (L)	: 4

#### MILKING GROUP

Bucket Type	: Aluminum
Bucket Volume	: 40 Lt.
Milk Claw Capacity	: 2 x 160cc
Pulsation	: 60/40
Milk Hose	: 2250mm (24mm x 14mm)
Pulse Hose	: 2250mm (13mm x 7mm)

#### OPTIONAL FEATURES

Product Code	Type
SARM-008-OL	Oily System Aluminium Bucket
SARM-008-OL/SS	Oily System Stainless Bucket
SARM-008/SS	Dry System Stainless



- \*Three Wheel Frame is Optional.
- \* Galvanized Frame is Optional.
- \* Milk Claw Capacity 240 cc Optional
- \* Available Optional Colours ● ● ● ●

# SARM - 009

## MOBILE AND HALF STABLE SINGLE MILKING BUCKET (SINGLE UNIT)

### TECHNICAL FEATURES

#### CHASSIS

Length (cm)	: 33
Width (cm)	: 50
Height (cm)	: 73
Weight (kg)	: 35

#### VACUUM PUMP

Engine Power (kW)	: 0,55 kW
Rotating (rpm)	: 1450 rpm
Voltage (V)	: 220 & 110 Volt - 50&60 Hz
Flow Rate (L/min)	: 180-200
Palette Type	: Graphite
Palette Size (mm)	: 4,9 x 43 x 70
Tank Capacity (L)	: 18

#### MILKING GROUP

Bucket Type	: Stainles
Bucket Volume	: 30 Lt.
Milk Claw Capacity	: 1 x 160cc
Pulsation	: 60/40
Milk Hose	: 2250mm (24mm x 14mm)
Pulse Hose	: 2250mm (13mm x 7mm)

#### OPTIONAL FEATURES

Product Code	Type
SARM-009/AL	Dry System Aluminium



- \* Galvanized Frame is Optional.
- \* Milk Claw Capacity 240 cc Optional
- \* Available Optional Colours ● ● ● ●

# SARM - 012

## SINGLE MILKING SINGLE BUCKET MILKING MACHINE FOR COWS

### TECHNICAL FEATURES

#### CHASSIS

Length (cm)	: 110
Width (cm)	: 42
Height (cm)	: 74
Weight (kg)	: 37,5

#### VACUUM PUMP

Engine Power (kW)	: 0,55 kW
Rotating (rpm)	: 1450 rpm
Voltage (V)	: 220 & 110 Volt - 50&60 Hz
Flow Rate (L/min)	: 180-200
Palette Type	: Graphite
Palette Size (mm)	: 4,9 x 43 x 70
Tank Capacity (L)	: 4

#### MILKING GROUP

Bucket Type	: Aluminum
Bucket Volume	: 30 Lt.
Milk Claw Capacity	: 1 x 160cc
Pulsation	: 60/40
Milk Hose	: 2250mm (24mm x 14mm)
Pulse Hose	: 2250mm (13mm x 7mm)

#### OPTIONAL FEATURES

Product Code	Type
SARM-012-OL	Oily System Aluminium Bucket
SARM-012-OL/SS	Oily System Stainless Bucket
SARM-012/SS	Dry System Stainless



- \*Three Wheel Frame is Optional.
- \* Galvanized Frame is Optional.
- \* Milk Claw Capacity 240 cc Optional
- \* Available Optional Colours ● ● ● ●

# SARM - 015

## SINGLE MILKING SINGLE BUCKET MILKIN MACHINE FOR GOAT & SHEEP

### TECHNICAL FEATURES

#### CHASSIS

Length (cm)	: 98
Width (cm)	: 42
Height (cm)	: 93
Weight (kg)	: 50

#### VACUUM PUMP

Engine Power (kW)	: 0,55 kW
Rotating (rpm)	: 1450 rpm
Voltage (V)	: 220 & 110 Volt - 50&60 Hz
Flow Rate (L/min)	: 180-200
Palette Type	: Graphite
Palette Size (mm)	: 4,9 x 43 x 70
Tank Capacity (L)	: 18

#### MILKING GROUP

Bucket Type	: Aluminum
Bucket Volume	: 40 Lt.
Milk Claw Capacity	: 1 x 160cc
Pulsation	: 60/40
Milk Hose	: 2250mm (24mm x 14mm)
Pulse Hose	: 2250mm (13mm x 7mm)

#### OPTIONAL FEATURES

Product Code	Type
SARM-015-OL	Oily System Aluminium Bucket
SARM-015-OL/SS	Oily System Stainless Bucket
SARM-015/SS	Dry System Stainless
SARM-015/GE	Dry System With Gasoline Engine



\*Three Wheel Frame is Optional.

\* Galvanized Frame is Optional.

\* Available Optional Colours ● ● ● ●

# SARM - 016

## SINGLE MILKING SINGLE BUCKET MILKING MACHINE FOR GOAT & SHEEP

### TECHNICAL FEATURES

#### CHASSIS

Length (cm)	: 110
Width (cm)	: 42
Height (cm)	: 74
Weight (kg)	: 37,5

#### VACUUM PUMP

Engine Power (kW)	: 0,55 kW
Rotating (rpm)	: 1450 rpm
Voltage (V)	: 220 & 110 Volt - 50&60 Hz
Flow Rate (L/min)	: 180-200
Palette Type	: Graphite
Palette Size (mm)	: 4,9 x 43 x 70
Tank Capacity (L)	: 4

#### MILKING GROUP

Bucket Type	: Aluminum
Bucket Volume	: 30 Lt.
Milk Claw Capacity	: 1 x 160cc
Pulsation	: 60/40
Milk Hose	: 2250mm (24mm x 14mm)
Pulse Hose	: 2250mm (13mm x 7mm)

#### OPTIONAL FEATURES

Product Code	Type
SARM-016-OL	Oily System Aluminium Bucket
SARM-016-OL/SS	Oily System Stainless Bucket
SARM-016/SS	Dry System Stainless



\*Three Wheel Frame is Optional.

\* Galvanized Frame is Optional.

\* Available Optional Colours ● ● ● ●







Product Code **SARMP-101** Product Name **20 L Milk Scale (Inox)**



Product Code **SARMP-102** Product Name **30 L Bucket Aluminium**



Product Code **SARMP-103** Product Name **40 L Bucket Aluminium**



Product Code **SARMP-104** Product Name **30 L Bucket (Inox)**



Product Code **SARMP-105** Product Name **30 L Bucket (Inox)**



Product Code **SARMP-190** Product Name **50 L Milk Carrying Bucket With Locked Lids (Inox)**



Product Code **SARMP-191** Product Name **40 L Milk Carrying Bucket With Locked Lids (Inox)**



Product Code **SARMP-192** Product Name **30 L Milk Carrying Bucket With Locked Lids (Inox)**



Product Code **SARMP-193** Product Name **50 L Milk Carrying Bucket With Locked Lids (Al.)**



Product Code **SARMP-194** Product Name **40 L Milk Carrying Bucket With Locked Lids (Al.)**



Product Code **SARMP-195** Product Name **30 L Milk Carrying Bucket With Locked Lids (Al.)**



Product Code **SARMP-196** Product Name **10 L Milk Carrying Bucket With Locked Lids (Al.)**



Product Code **SARMP-197**  
Product Name **40 L Milk Carrying Bucket With Handle (Al.)**



Product Code **SARMP-198**  
Product Name **30 L Milk Carrying Bucket With Handle (Al.)**



Product Code **SARMP-199**  
Product Name **30 L Milk Bucket (Aluminium)**



Product Code **SARMP-200**  
Product Name **1 L Milk Scale Case Aluminium**



Product Code **SARMP-359**  
Product Name **Aluminium Milk Filter**



Product Code **SARMP-368**  
Product Name **Polycarbon Bucket**



Product Code **SARMP-113**  
Product Name **Milking Cluster 240 cc**



Product Code **SARMP-114**  
Product Name **Milking Cluster (By Milk Flow) 240 cc**



Product Code **SARMP-115**  
Product Name **Milking Cluster 160 cc**



Product Code **SARMP-404**  
Product Name **Milking Cluster Plastic Sheath 160 cc**



Product Code **SARMP-405**  
Product Name **Milking Cluster Plastic Sheath Transparent 160 cc**



Product Code **SARMP-111**  
Product Name **Goat Milking Cluster**



Product Code **SARMP-112** Product Name **Sheep Milking Cluster**



Product Code **SARMP-201** Product Name **Goat, Sheep and Horse Milking Cluster**



Product Code **SARMP-131** Product Name **Liner Unit (By Milk Flow)**



Product Code **SARMP-132** Product Name **Liner Unit (Long)**



Product Code **SARMP-400** Product Name **Liner Unit Plastic (Long)**



Product Code **SARMP-401** Product Name **Liner Unit Polycarbon (Long)**



Product Code **SARMP-112-2** Product Name **Teat - Cup For Sheep**



Product Code **SARMP-111-2** Product Name **Teat - Cup For Sheep For Goat**



Product Code **SARMP-402** Product Name **Transparent Teatcup Shell Stainless Weighted**



Product Code **SARMP-403** Product Name **Plastic Teatcup Shell Stainless Weighted**



Product Code **SARMP-112-2** Product Name **Teat - Cup For Sheep**



Product Code **SARMP-111-2** Product Name **Teat - Cup For Sheep For Goat**



Product Code **SARMP-135** Product Name **Milk Flow**



Product Code **SARMP-134** Product Name **Liner Cup (Milk Cup)**



Product Code **SARMP-136** Product Name **O-Ring Of Milk Cup**



Product Code **SARMP-200-1** Product Name **Automatic Claw For Sheep and Goat**



Product Code **SARMP-201-2** Product Name **Universal Claw For Seep and Goat**



Product Code **SARMP-333** Product Name **Big Y-Shape Fitting**



Product Code **SARMP-334** Product Name **Small Y-Shape Fitting**



Product Code **SARMP-137** Product Name **Short Type Liner**



Product Code **SARMP-138** Product Name **Long Type Liner**



Product Code **SARMP-138-1** Product Name **Long Type Liner**



Product Code **SARMP-138-2** Product Name **Silicone Liner Long Type**



Product Code **SARMP-111-1** Product Name **Silicone Liner For Goats**



Product Code **SARMP-112-1** Product Name **Silicone Liner For Sheep**



Product Code **SARMP-139** Product Name **Short Milk Tube**



Product Code **SARMP-140** Product Name **Air Tube**



Product Code **SARMP-173** Product Name **Plug Of Udder Rubber**



Product Code **SARMP-125** Product Name **160 cc Claw (Old Model)**



Product Code **SARMP-130** Product Name **Claw Plug (Flat) 160 cc**



Product Code **SARMP-332** Product Name **Shut Of Valve Basket**



Product Code **SARMP-124** Product Name **160 cc Claw**



Product Code **SARMP-126** Product Name **Top Glass Of 160 cc Claw**



Product Code **SARMP-127** Product Name **Body Of 160 cc Claw**



Product Code **SARMP-128** Product Name **160 cc Dispenser Of Claw**



Product Code **SARMP-129** Product Name **Claw Plug (Conic) 160 cc**



Product Code **SARMP-123** Product Name **Gasket Of 160 cc Claw**



Product Code **SARMP-381** Product Name **160 cc Claw**



Product Code **SARMP-382** Product Name **Top Glass Of 160 cc Claw**



Product Code **SARMP-383** Product Name **Body Of 160 cc Claw**



Product Code **SARMP-384** Product Name **160 cc Dispenser Of Claw**



Product Code **SARMP-385** Product Name **Claw Plug (Conic) 160 cc**



Product Code **SARMP-386** Product Name **Gasket Of 160 cc Claw**



Product Code **SARMP-116** Product Name **240 cc Milking Claw (Large)**



Product Code **SARMP-120** Product Name **240 cc Top Glass Of Claw**



Product Code **SARMP-117** Product Name **240 cc Claw Body**



Product Code **SARMP-118** Product Name **Bottom Part Of Claw (240 cc)**



Product Code **SARMP-121** Product Name **240 cc Claw Hanger (Inox)**



Product Code **SARMP-119** Product Name **240 cc Claw Plug**



Product Code **SARMP-122** Product Name **240 cc Claw Basket**



Product Code **SARMP-331** Product Name **340 cc Milking Claw**



Product Code **SARMP-331-1** Product Name **340 cc Top Class Of Claw**



Product Code **SARMP-144** Product Name **Plastic Dispenser Double Grooved**



Product Code **SARMP-144-1** Product Name **Plastic Dispenser Single Grooved - T**



Product Code **SARMP-145** Product Name **Plastic Dispenser Single**



Product Code **SARMP-146** Product Name **Plastic Dispenser Double T**



Product Code **SARMP-406** Product Name **Plastic Air Distributor**



Product Code **SARMP-407** Product Name **Plastic Air Distributor**



Product Code **SARMP-408-1** Product Name **Chassis Top Plug Ø60**



Product Code **SARMP-409** Product Name **Rubber Chasis Plug Ø27**



Product Code **SARMP-410** Product Name **Rubber Chasis Plug Ø32**



Product Code **SARMP-411** Product Name **Leg Rubber Ø27**



Product Code **SARMP-162** Product Name **Leg Rubber Ø32**



Product Code **SARMP-107** Product Name **Bucket Lid**



Product Code **SARMP-108** Product Name **Bucket Lid Gasket**



Product Code **SARMP-335** Product Name **30 Lt Bucket Lid**



Product Code **SARMP-336** Product Name **Gasket Of 30 Lt Bucket Lid**



Product Code **SARMP-106** Product Name **Inox**



Product Code **SARMP-337** Product Name **30 Lt Inox Bucket Lid**



Product Code **SARMP-109** Product Name **40 Lt Bucket Lid To Carry**



Product Code **SARMP-338** Product Name **30 Lt Bucket Lid To Carry**



Product Code **SARMP-110** Product Name **Bucket Lid To Carry (Polycarbonate)**



Product Code **SARMP-517** Product Name **Lid Of Storage (Chrome)**





Product Code **SARMP-516** Product Name **Transfer Lid (Chrome)**



Product Code **SARMP-159-1** Product Name **Ø 300 mm Wheel**



Product Code **SARMP-142** Product Name **Vacuum Tank Cover (With Gasket)**



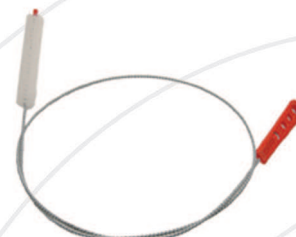
Product Code **SARMP-142-1** Product Name **Gasket Of Vacuum Tank Lid**



Product Code **SARMP-163** Product Name **Bucket Lid Layer**



Product Code **SARMP-164** Product Name **Short Brush**



Product Code **SARMP-165** Product Name **Long Brush**



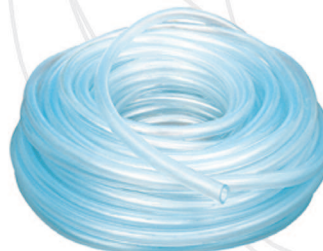
Product Code **SARMP-514** Product Name **Manometer (Ø 63 mm)**



Product Code **SARMP-206** Product Name **Milk Finisher**



Product Code **SARMP-150** Product Name **Transparent Vacuum Horse (Double)**



Product Code **SARMP-151** Product Name **Transparent Vacuum Horse (Single)**



Product Code **SARMP-413** Product Name **Sheep Milking Cluster Hose Holder**



Product Code **SARMP-413-1** Product Name **Sheep Milking Cluster Hose Holder**



Product Code **SARMP-339** Product Name **Tube Clip**



Product Code **SARMP-159** Product Name **Ø 300 mm Wheel**



Product Code **SARMP-160** Product Name **Ø 250 mm Wheel**



Product Code **SARMP-148** Product Name **Handle Grip**



Product Code **SARMP-141** Product Name **Vacuum Tank (Unit)**



Product Code **SARMP-149** Product Name **Regulator**



Product Code **SARMP-143** Product Name **Vacuum Tank Plug**



Product Code **SARMP-166** Product Name **Fabric Tube (Vacuum Tank Exit)**



Product Code **SARMP-189** Product Name **Fabric Tube Pump Exit**



Product Code **SARMP-152** Product Name **Pulsator (Pneumatic Control Unit)**



Product Code **SARMP-153** Product Name **Pulsator Adaptor**



Product Code **SARMP-154** Product Name **Pulsator Repair Kits**



Product Code **SARMP-175** Product Name **Large Membrane**



Product Code **SARMP-176** Product Name **Small Membrane**



Product Code **SARMP-147** Product Name **Butterfly Valve**



Product Code **SARMP-203** Product Name **Nipple Bucket**



Product Code **SARMP-340** Product Name **Nipple Bucket 6**



Product Code **SARMP-341** Product Name **Nipple Bucket 3**



Product Code **SARMP-167** Product Name **Feeding Bottle (Screw)**



Product Code **SARMP-202** Product Name **Lamb Feeding Bottle**



Product Code **SARMP-507** Product Name **Teat Dip Cup**



Product Code **SARMP-203-3** Product Name **Calf Buckets Teat**



Product Code **SARMP-340-1** Product Name **Lamb Bucket Teat**



Product Code **SARMP-341-1**  
Product Name **Lab Buckets Teat**



Product Code **SARMP-345**  
Product Name **Feeding Bottle Teat**



Product Code **SARMP-346**  
Product Name **Feeding Bottle Teat**



Product Code **SARMP-204**  
Product Name **Mastitis Detector**



Product Code **SARMP-169**  
Product Name **Inhibitor Kicking**



Product Code **SARMP-162**  
Product Name **Leg Rubber**



Product Code **SARMP-347**  
Product Name **Vacuum Pump Oil 4 Lt**



Product Code **SARMP-348**  
Product Name **Vacuum Pump Oil 1 Lt**



Product Code **SARMP-349**  
Product Name **Disinfectant Alkali 5 Lt**



Product Code **SARMP-519**  
Product Name **Washing Panel**



Product Code **SARMP-158**  
Product Name **Pump Valve**



Product Code **SARMP-156**  
Product Name **Exhaust Unit**



Product Code **SARMP-157** Product Name **Motor Pin Protection**



Product Code **SARMP-186** Product Name **Exhaust Oiled**



Product Code **SARMP-412** Product Name **Exhaust Oiled Plastic Covered**



Product Code **SARMP-355** Product Name **Water Valve Double**



Product Code **SARMP-521** Product Name **30 L Germicidal Milking Bucket (Inox)**



Product Code **SARMP-508** Product Name **30 L Germicidal Milking Bucket (Aluminium)**



Product Code **SARMP-530** Product Name **50 Lt Churning Machine**



Product Code **SARMP-522** Product Name **38 Lt Churning Machine**



Product Code **SARMP-501** Product Name **Wash Tub (Chrome - Self Heating)**



Product Code **SARMP-505** Product Name **Drain Valve**



Product Code **SARMP-353** Product Name **Resistance**



Product Code **SARMP-354** Product Name **Water Valve Single**



Product Code **SARMP-529** Product Name **20 Lt Churning Machine**



Product Code **SARMP-360** Product Name **Electric Fence**



Product Code **SARMP-361** Product Name **Fence Wire 1000 m.**



Product Code **SARMP-362** Product Name **Fence Wire 500 m.**



Product Code **SARMP-363** Product Name **Fence Wire 250 m.**



Product Code **SARMP-364** Product Name **Insulator**



Product Code **SARMP-377** Product Name **Electric Fence Adaptor**



Product Code **SARMP-378** Product Name **Sucking Preventor PVC**



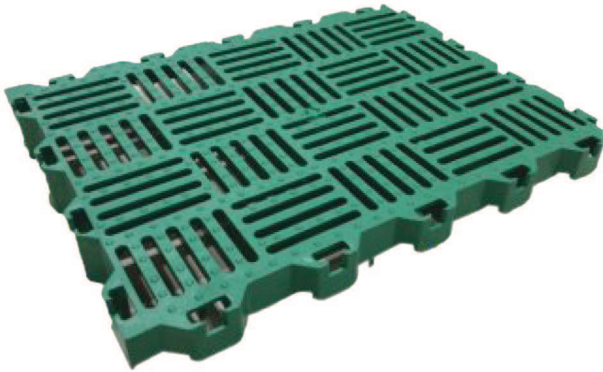
Product Code **SARMP-379** Product Name **Ø125 Wheel**



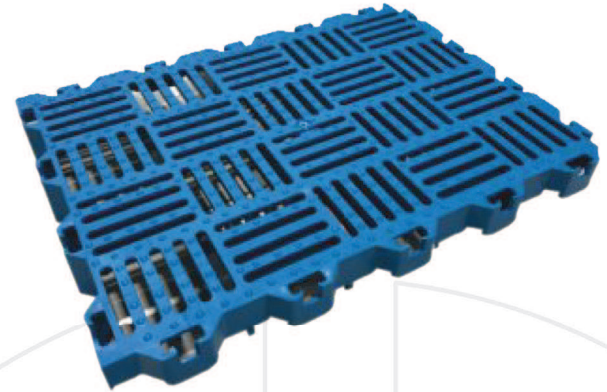
Product Code **SARMP-414** Product Name **Ø125 Wheel**



Product Code **SARMP-415** Product Name **Ovine Medicine Swallow**



Product Code **SARMP-415** Product Name **Animal Base 52x40 cm**



Product Code **SARMP-416** Product Name **Animal Base 82x62 cm**



Product Code **SARMP-369** Product Name **Milk Transporting Vehicle For Double Buckets**



Product Code **SARMP-370** Product Name **Milk Transporting Vehicle For Single Buckets**





# Monophase Rotary Vane Vacuum Pumps

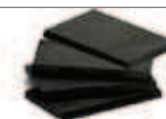
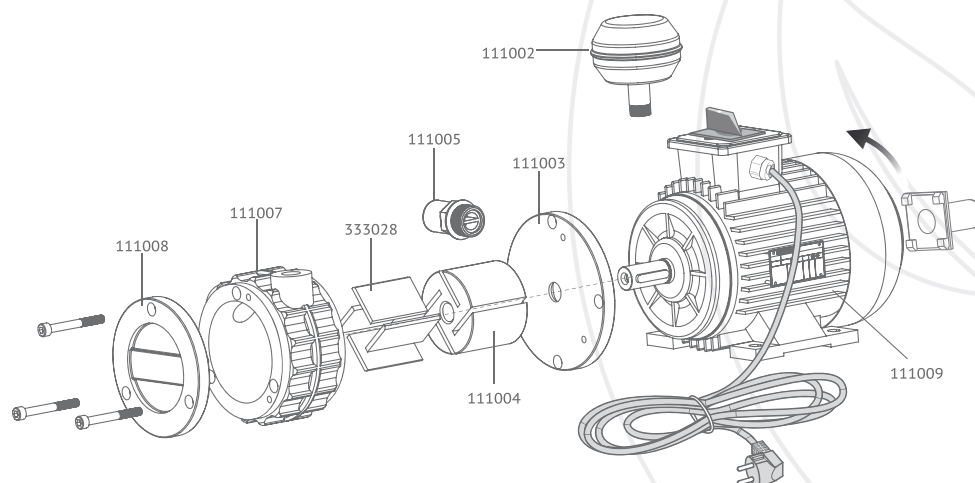
SARPVP-170

VP-170



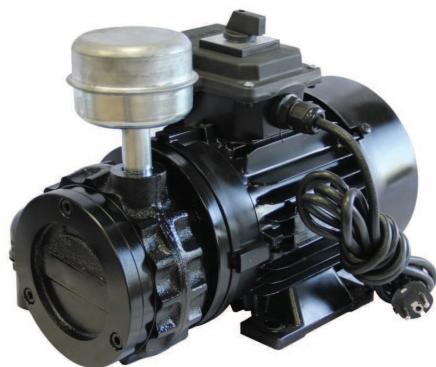
Ref.	Model	RPM	HP	Kw	Volt	Hz	Capacity @50 kPa Lt./min	Type
111000	SARVP-170	1400	1	0,55	220	50	170 Lt.	Dry
111001	VP-170	1400	1	0,55	220	50	170 Lt.	Dry

Note : This item is available in 110 v 60 hz



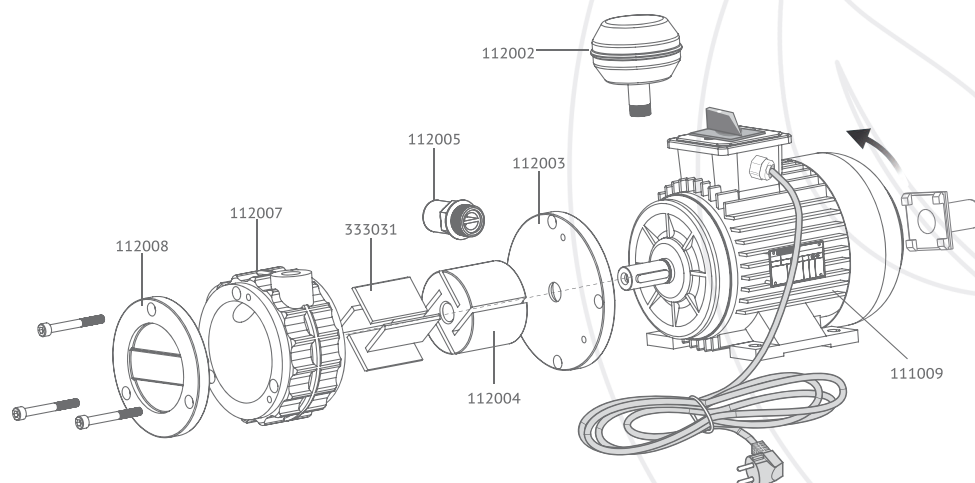
Grafit Palet 4,90 \* 70 \* 43 mm

# Monophase Rotary Vane Vacuum Pumps

**SARPVP-185**
**VP-185**


Ref.	Model	RPM	HP	Kw	Volt	Hz	Capacity @50 kPa Lt./min	Type
112000	SARVP-185	1400	1	0,55	220	50	185 Lt.	Oil
112001	VP-185	1400	1	0,55	220	50	185 Lt.	Oil

Note : This item is available in 110 v 60 hz



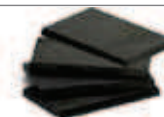
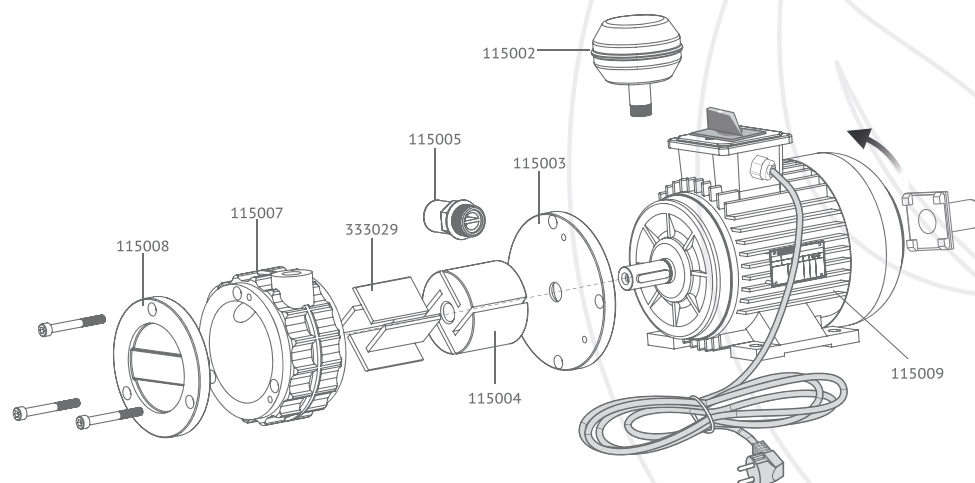
Fiber Palet 4,90 \* 70 \* 43 mm

# Monophase Rotary Vane Vacuum Pumps

**SARPVP-190**
**VP-190**


Ref.	Model	RPM	HP	Kw	Volt	Hz	Capacity @50 kPa Lt./min	Type
115000	SARVP-190	1400	1	0,55	220	50	190 Lt.	Dry
115001	VP-190	1400	1	0,55	220	50	190 Lt.	Dry

Note : This item is available in 110 v 60 hz

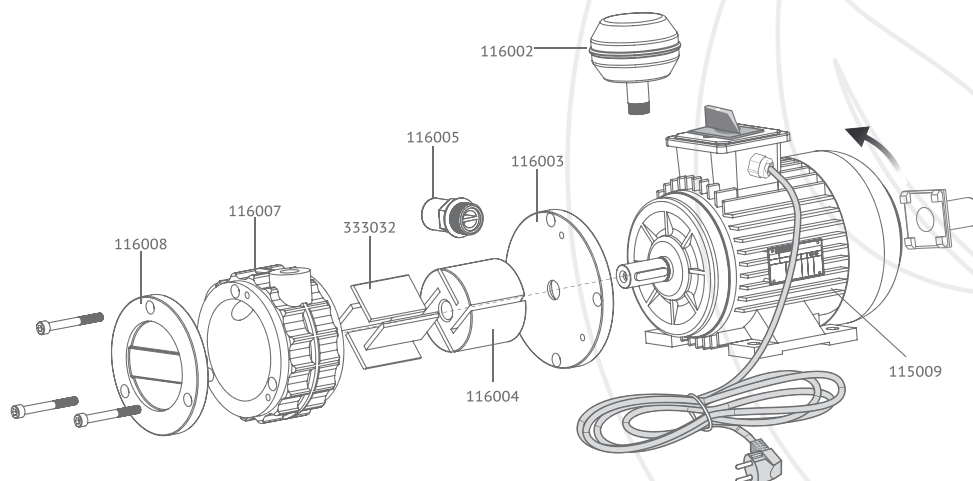

**Grafit Palet 4,90 \* 80 \* 43 mm**

# Monophase Rotary Vane Vacuum Pumps

**SARPVP-200**
**VP-200**


Ref.	Model	RPM	HP	Kw	Volt	Hz	Capacity @50 kPa Lt./min	Type
116000	SARVP-200	1400	1	0,55	220	50	200 Lt.	Oil
116001	VP-200	1400	1	0,55	220	50	200 Lt.	Oil

Note : This item is available in 110 v 60 hz



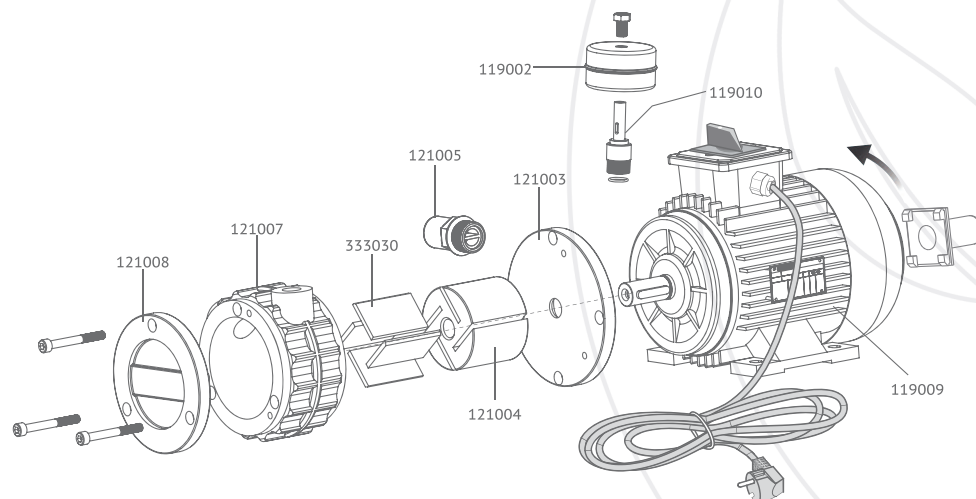
Fiber Palet 4,90 \* 80 \* 43 mm

# Monophase Rotary Vane Vacuum Pumps

**SARPVP-220**
**VP-220**


Ref.	Model	RPM	HP	Kw	Volt	Hz	Capacity @50 kPa Lt./min	Type
121000	SARVP-220	1400	1	0,55	220	50	220 Lt.	Dry
121001	VP-220	1400	1	0,55	220	50	220 Lt.	Dry

Note : This item is available in 110 v 60 hz


**Grafit Palet 4,90 \* 85 \* 43 mm**

# Monophase Rotary Vane Vacuum Pumps

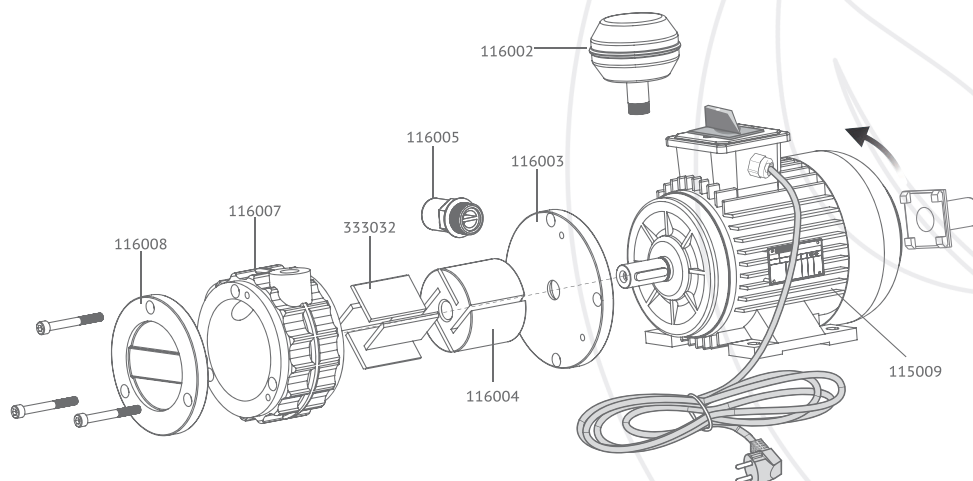
SARPVP-230

VP-230



Ref.	Model	RPM	HP	Kw	Volt	Hz	Capacity @50 kPa Lt./min	Type
122000	SARVP-230	1400	1	0,55	220	50	230 Lt.	Oil
122001	VP-230	1400	1	0,55	220	50	230 Lt.	Oil

Note : This item is available in 110 v 60 hz



# Monophase Rotary Vane Vacuum Pumps



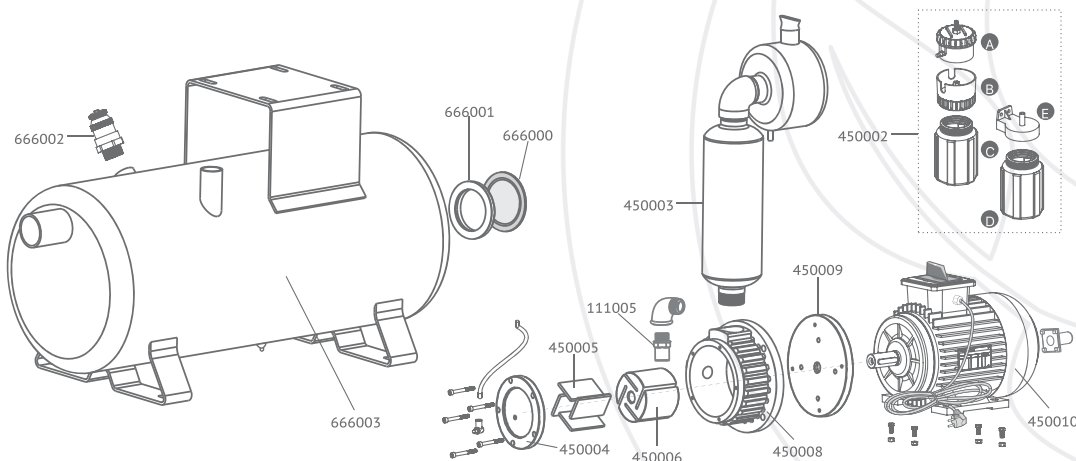
SARBVP-450

VP-450



Ref.	Model	RPM	HP	Kw	Volt	Hz	Capacity @50 kPa Lt./min	Type
450000	SARBVP-450	1400	2	1,55	220	50	450 Lt.	Oil
450001	VP-450	1400	2	1,55	220	50	450 Lt.	Oil

Note : This item is available in 110 v 60 hz



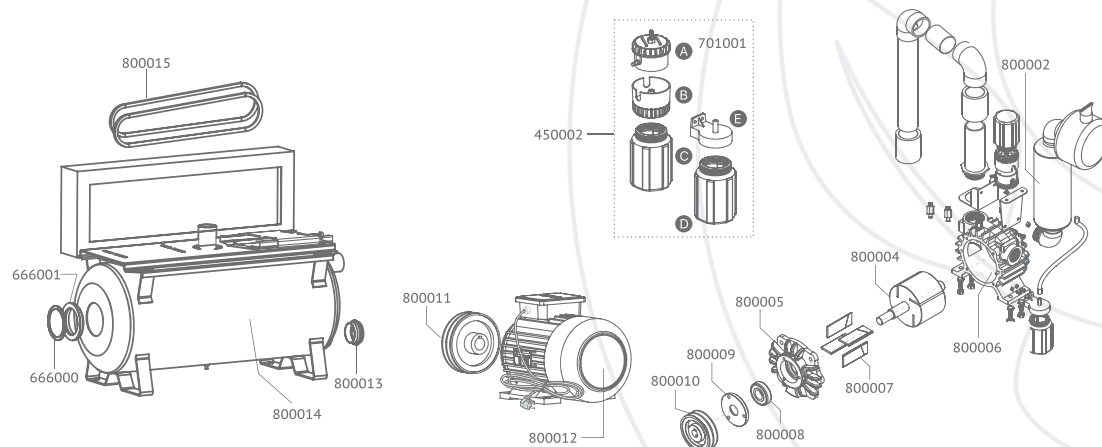
Fiber Palet 4,90 \* 85 \* 55 mm

# Monophase Rotary Vane Vacuum Pumps


**SARBVP-750**
**VP-750**


Ref.	Model	RPM	HP	Kw	Volt	Hz	Capacity @50 kPa Lt./min	Vacuum Tank Capacity
800000	SARBVP-750	1200	3	1,50	220	50	750 Lt.	55 Lt.
800001	VP-750	1200	3	1,50	220	50	750 Lt.	Oil

Note : This item is available in 110 v 60 hz



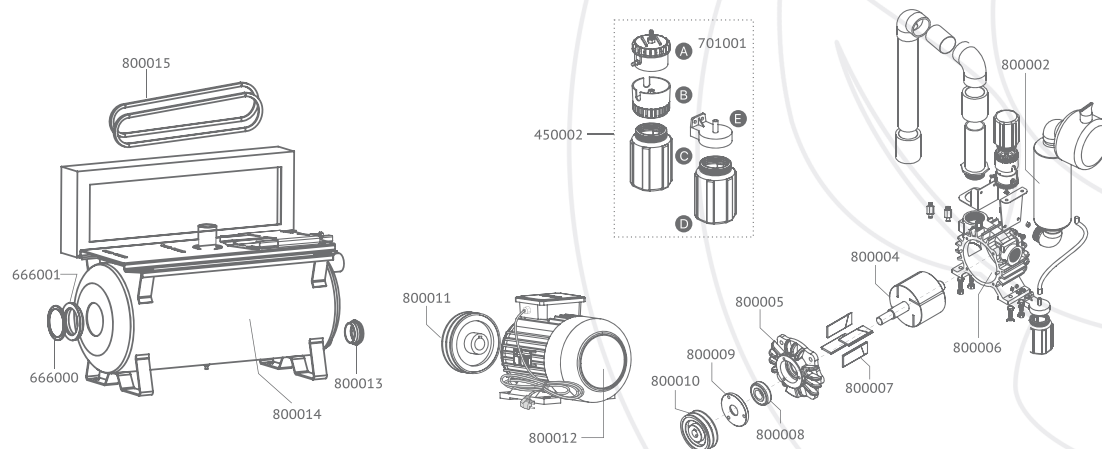


# Monophase Rotary Vane Vacuum Pumps

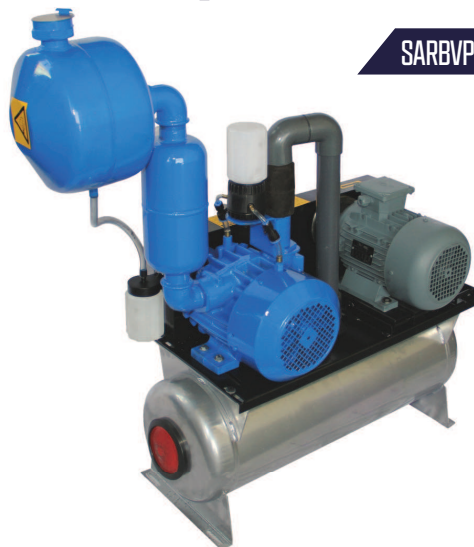

**SARBVP-1000**
**VP-1000**


Ref.	Model	RPM	HP	Kw	Volt	Hz	Capacity @50 kPa Lt./min	Vacuum Tank Capacity
100000	SARBVP-1000	1200	4	2,20	220	50	1000 Lt.	65 Lt.
100001	VP-1000	1200	4	2,20	220	50	1000 Lt.	-

Note : This item is available in 110 v 60 hz

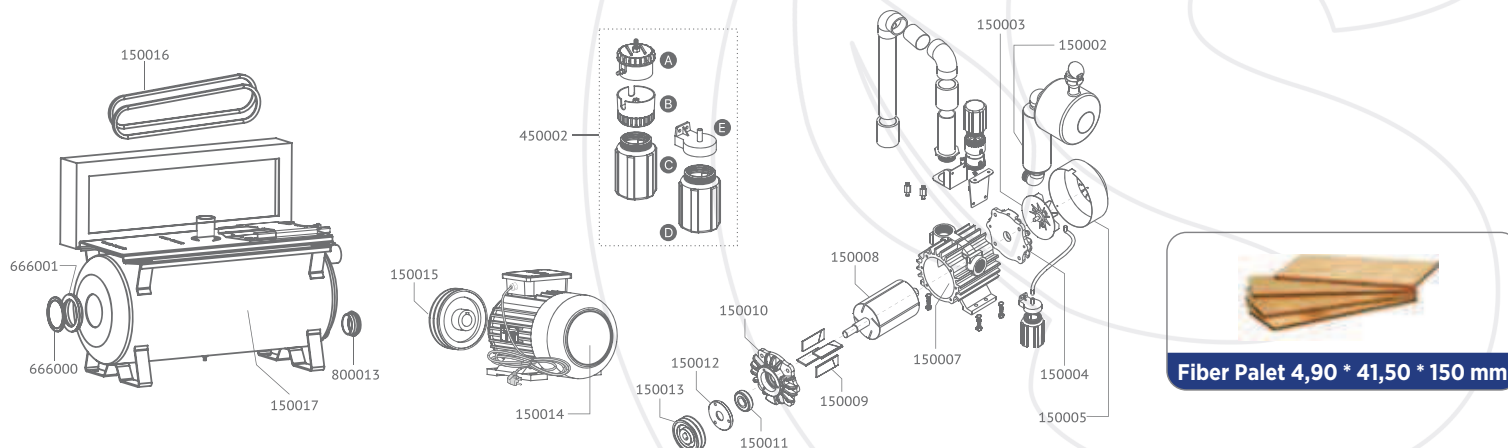

**Fiber Palet 4,90 \* 41,50 \* 100 mm**

# Monophase Rotary Vane Vacuum Pumps


**SARBVP-1500**
**VP-1500**


Ref.	Model	RPM	HP	Kw	Volt	Hz	Capacity @50 kPa Lt./min	Vacuum Tank Capacity
150000	SARBVP-1500	1200	5,5	3,00	380	50	1500 Lt.	85 Lt.
150001	VP-1500	1200	5,5	3,00	380	50	1500 Lt.	-

Note : This item is available in 110 v 60 hz



# Monophase Rotary Vane Vacuum Pumps



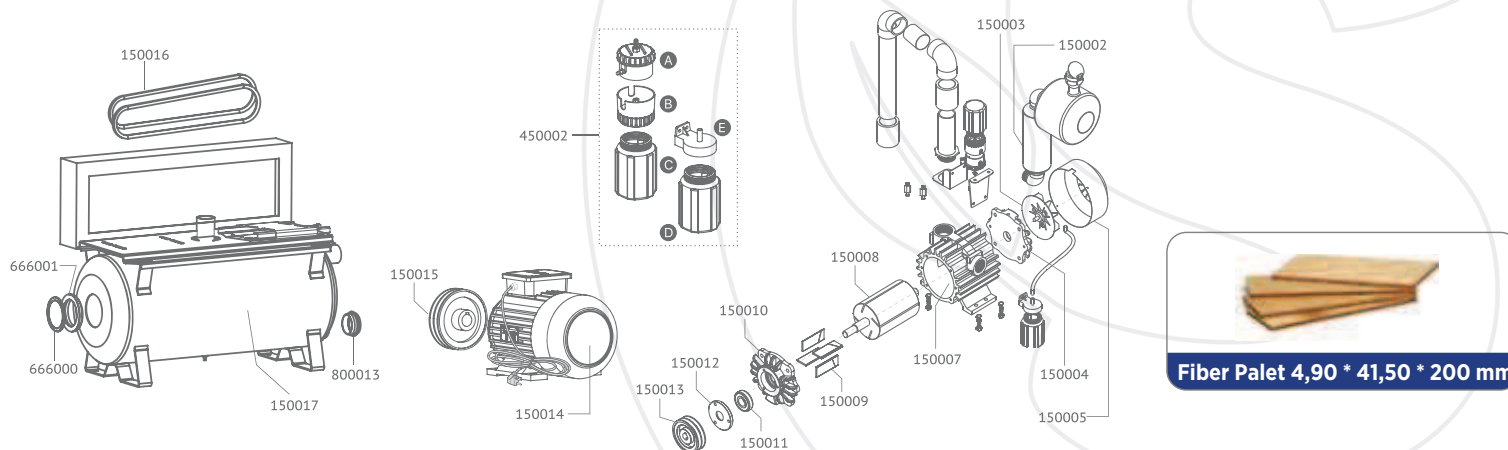
SARBVP-2000

VP-2000



Ref.	Model	RPM	HP	Kw	Volt	Hz	Capacity @50 kPa Lt./min	Vacuum Tank Capacity
200000	SARBVP-2000	1350	7,5	4,00	380	50	2000 Lt.	85 Lt.
200001	VP-2000	1350	7,5	4,00	380	50	2000 Lt.	-

Note : This item is available in 110 v 60 hz



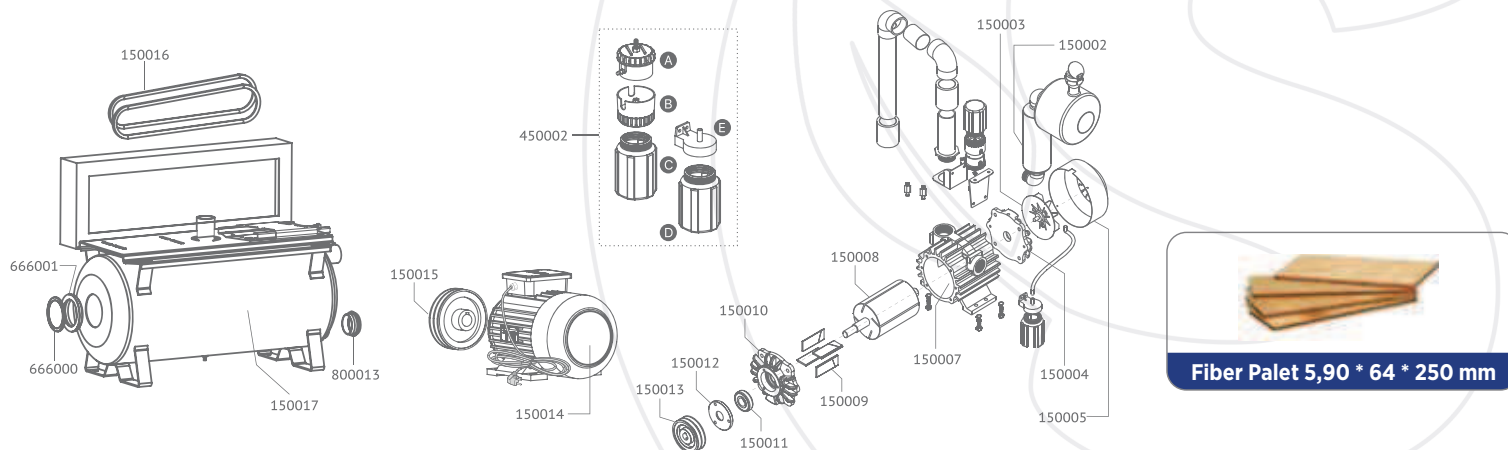
Fiber Palet 4,90 \* 41,50 \* 200 mm

# Monophase Rotary Vane Vacuum Pumps


**SARBVP-2500**
**VP-2500**


Ref.	Model	RPM	HP	Kw	Volt	Hz	Capacity @50 kPa Lt./min	Vacuum Tank Capacity
250000	SARBVP-2500	1350	10	5,50	380	50	2500 Lt.	110 Lt.
250001	VP-2500	1350	10	5,50	380	50	2500 Lt.	-

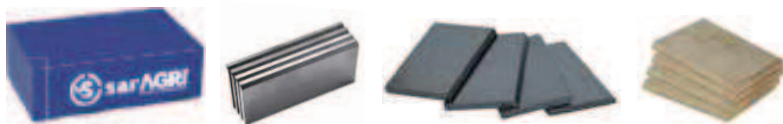
Note : This item is available in 110 v 60 hz



## Small Type Dry and Oil Vacuum Pump Grtes Palette

Model.	Pallet Size	Code
170 EPV	Grafit Palet 4,90*70*43 mm	111000
185 SARVP	Fiber Palet 4,90*70*43 mm	112000
190 SARVP	Grafit Palet 4,90*80*43 mm	115000
200 SARVP	Fiber Palet 4,90*80*43 mm	116000
220 SARVP	Grafit Palet 4,90*85*43 mm	121000
230 SARVP	Fiber Palet 4,90*85*43 mm	122000

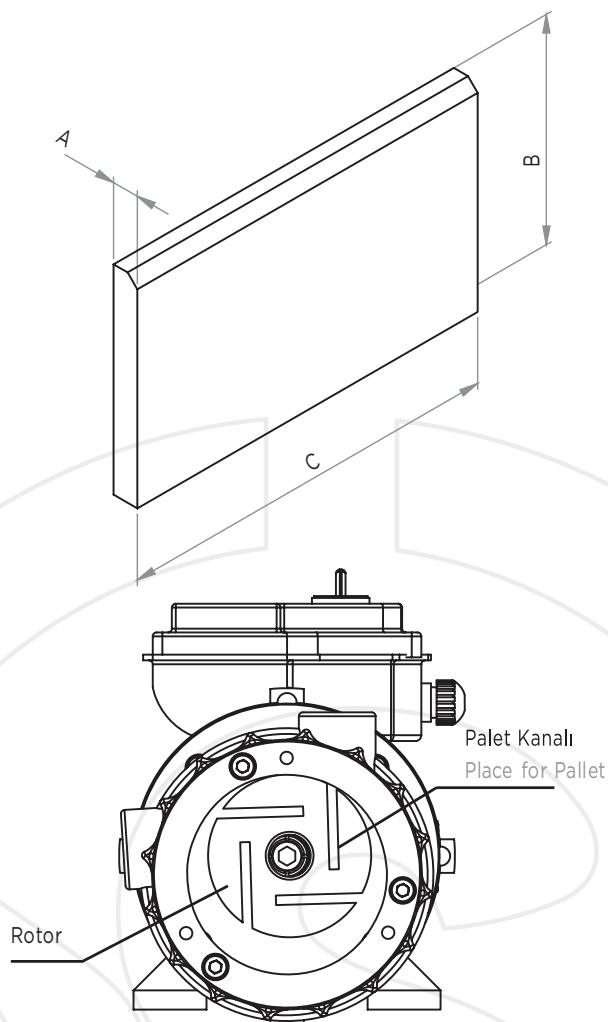
Note : Pallet Graphite Set (4 Pcs.)



## Large Type A Vacuum Pump Graphs Palette

Model.	Pallet Size	Code
450 SARBVP	Fiber Palet 5,90*85*55 mm	450000
750 SARBVP	Fiber Palet 4,90*41,50*100 mm	800000
1000 SARBVP	Fiber Palet 4,90*41,50*100 mm	100000
1500 SARBVP	Fiber Palet 4,90*41,50*150 mm	150000
2000 SARBVP	Fiber Palet 4,90*41,50*200 mm	200000
2500 SARBVP	Fiber Palet 5,90*64*250 mm	250000

Note : Pallet Graphite Set (4 Pcs.)





Büsan OSB. Fevzi Çakmak Mh. 10670 Sk.  
No:28/A Karatay/KONYA/TURKEY  
+90 332 248 12 72  
+90 332 249 82 26  
[www.saragri.com](http://www.saragri.com)  
[info@saragri.com](mailto:info@saragri.com)  
[export@saragri.com](mailto:export@saragri.com)